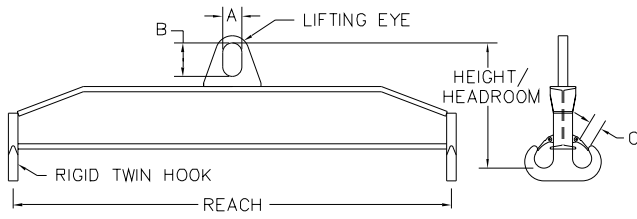
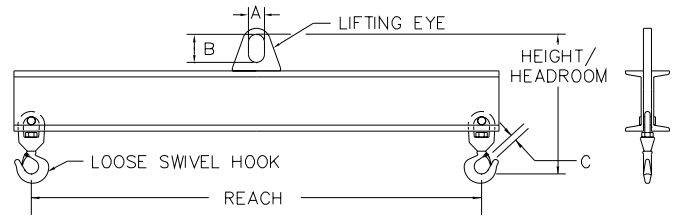


# Downs Crane & Hoist Company

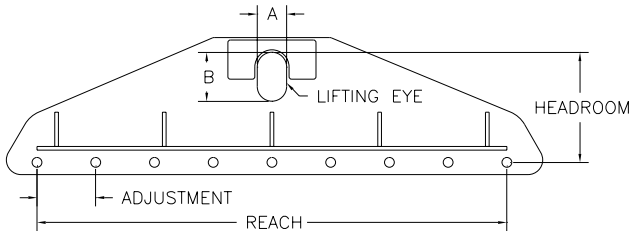
## Basic Spreader Beam Designs



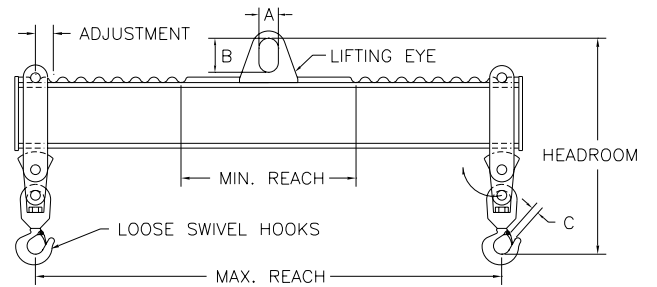
**SERIES 96**



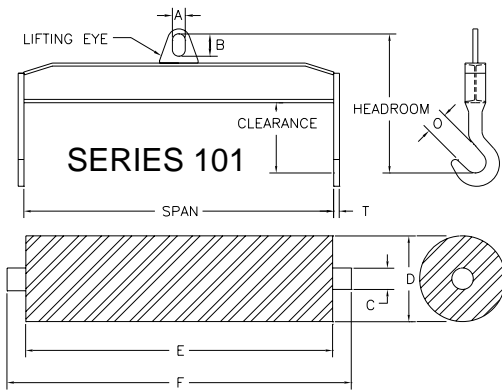
**SERIES 97**



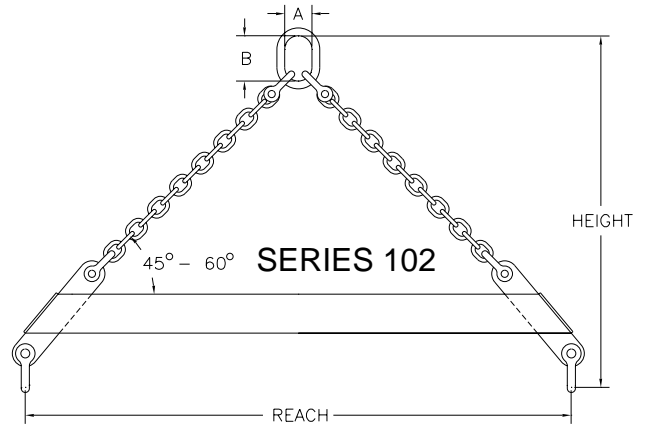
**SERIES 98**



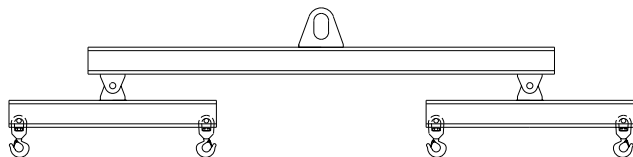
**SERIES 100**



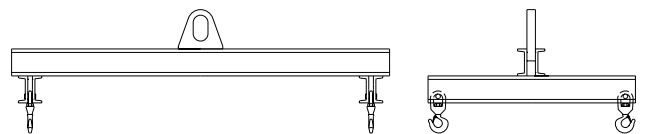
**SERIES 101**



**SERIES 102**



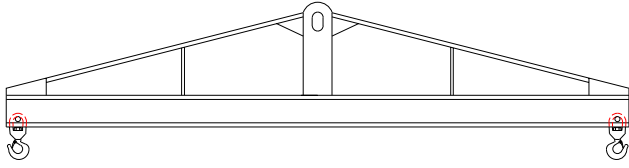
**SERIES 103**



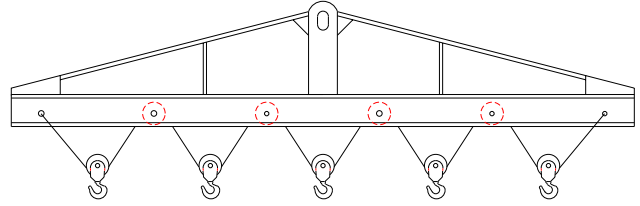
**SERIES 104**

# Downs Crane & Hoist Company

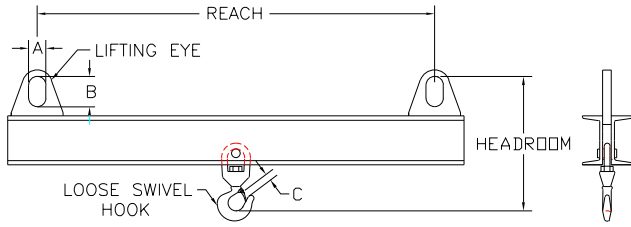
## Basic Spreader Beam Designs



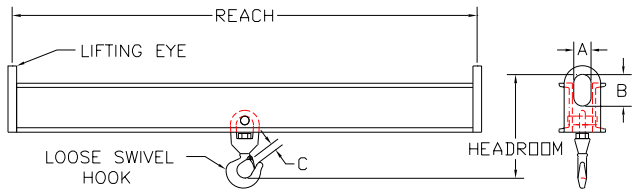
SERIES 105



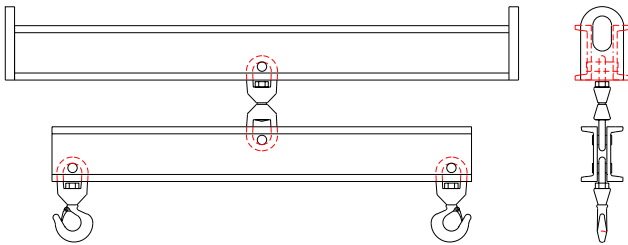
SERIES 106



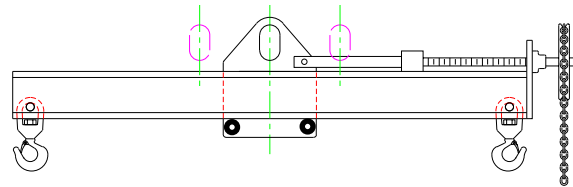
SERIES 107



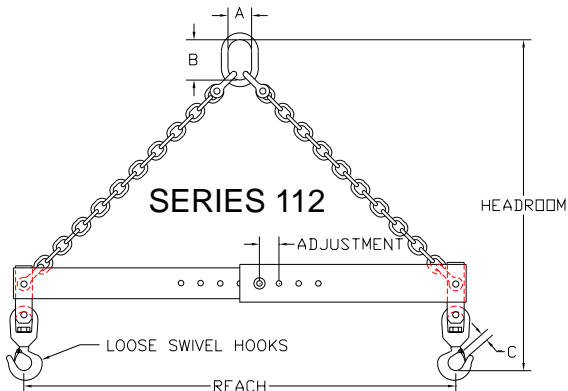
SERIES 108



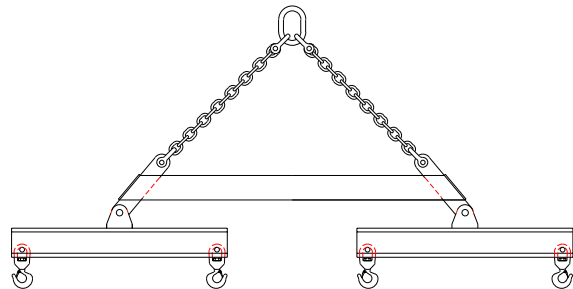
SERIES 109



SERIES 110



SERIES 112

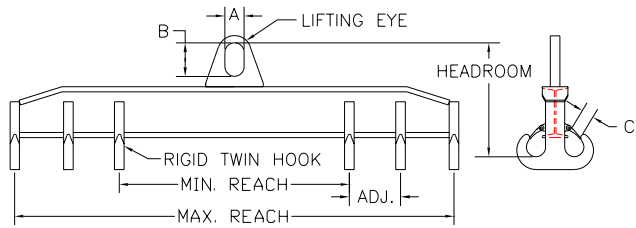


SERIES 113

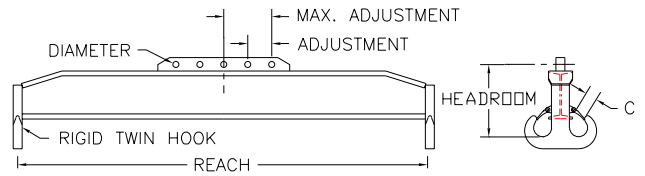
# Downs Crane & Hoist Company

## Basic Spreader Beam Designs

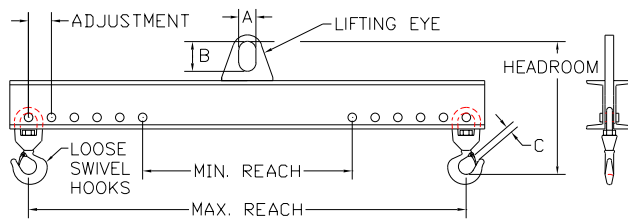
### Sample Modifications



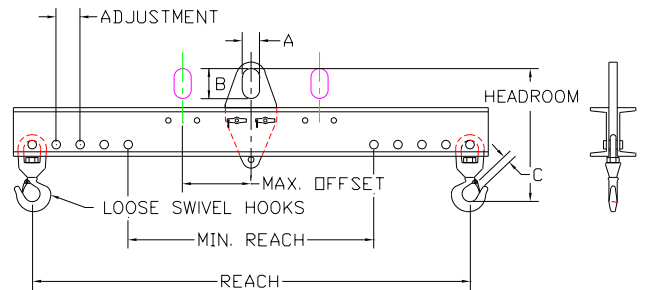
**SERIES 96A**



**SERIES 96AE**

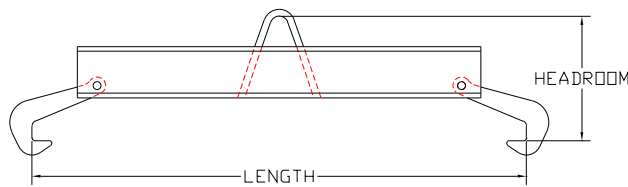


**SERIES 97A**

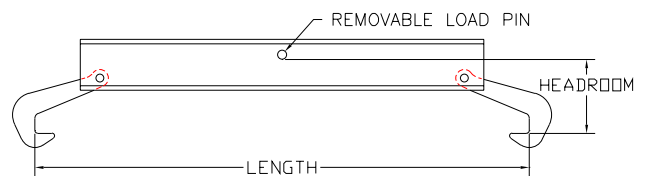


**SERIES 97AAE**

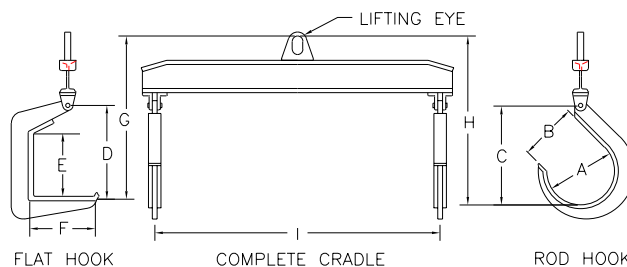
### Sample Specialty Spreader Beams



**SERIES 207 FOR CHLORINE TANKS**



**SERIES 208 FOR CHLORINE TANKS**

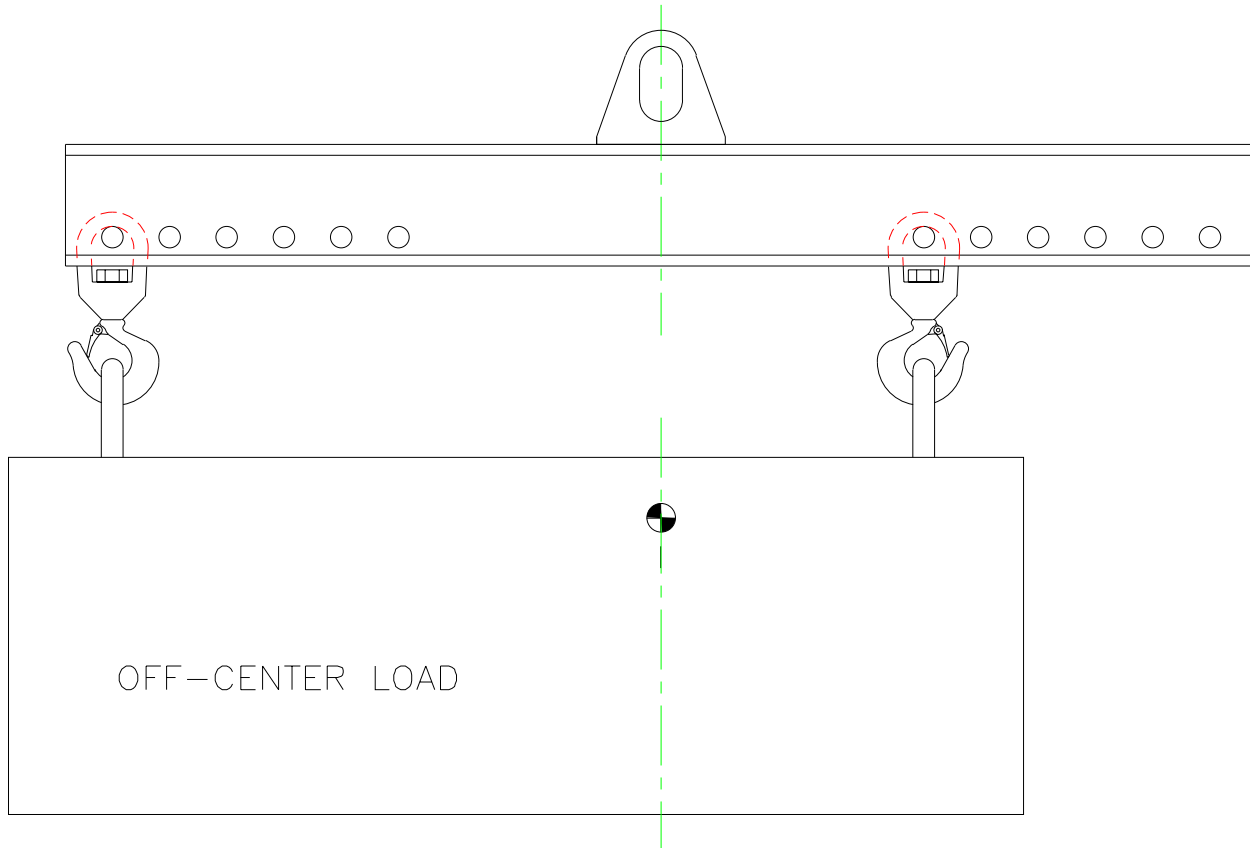


**SIDE HOOK SPREADER**

# Downs Crane & Hoist Company

## Basic Spreader Beam Designs

### Diagram for Balancing Offset Load



### Sample End Fittings

A	B	C	D	E	F	G	H
I	J	K	L	M	N	O	P
Q	R	S	T	U	V	W	X
Y	Z	AA	AB	AC	AD	AE	AF